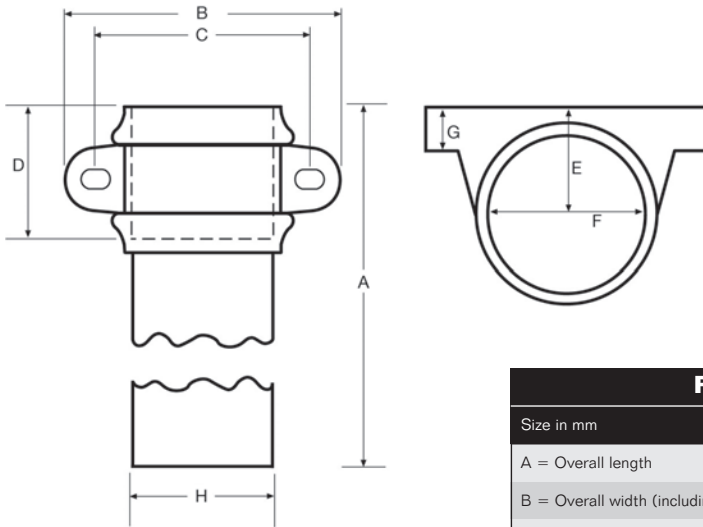


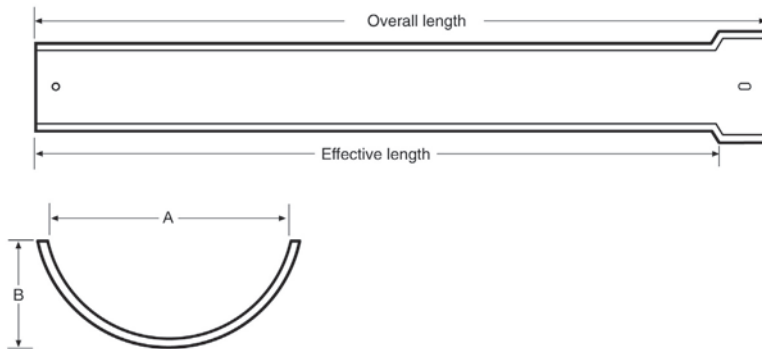
## Round Rainwater Pipes



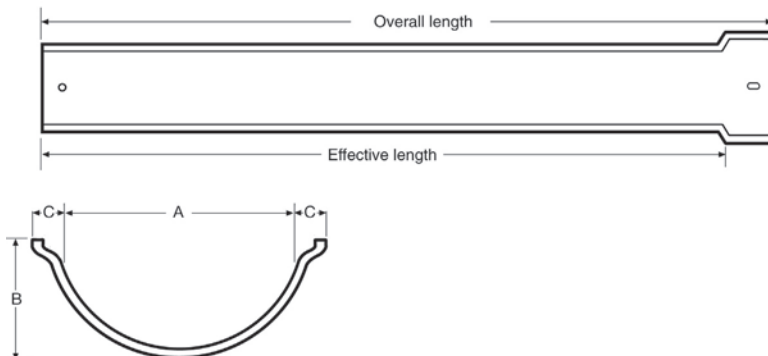
Round Rainwater Pipes - Eared & Plain				
Size in mm	65mm (2.5")	75mm (3")	100mm (4")	150mm (6")
A = Overall length	1829	1829	1829	1829
B = Overall width (including ears)	150	162	191	256
C = Distance between fixing centres	110	130	158	215
D = Insertion depth of socket	63	63	63	74
E = Back of fixing to pipe centre	47	53	65	91
F = Internal diameter of socket	73	83	111	162
G = Thickness of ear	15	15	15	15
H = Outside pipe diameter	69	80	105	159

## Plain Half Round & Beaded Half Round Gutters with External Joint

Plain half round

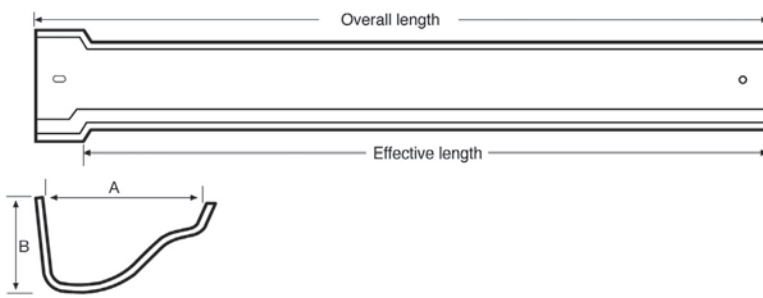


Beaded half round



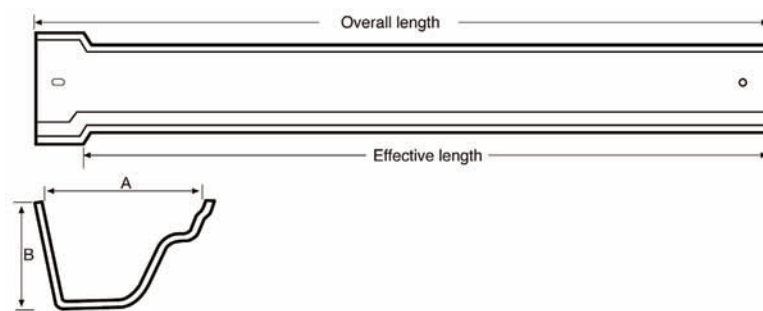
Plain Half Round & Beaded Half Round				
Size in mm	100mm (4")	115mm (4.5")	125mm (5")	150mm (6")
A = Internal width	100	115	125	150
B = Overall depth	41	50	52	76
C = Extension of bead	8	8	8	8
Effective length	1829	1829	1829	1829
Overall length	1879	1879	1879	1879

## OG Gutters with Left Hand External Joint



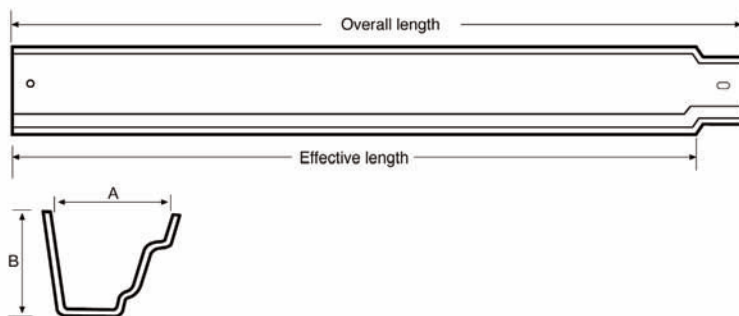
OG Gutters			
Size in mm	100mm (4')	115mm (4.5')	125mm (5')
A = Internal width	100	115	125
B = Overall depth	54	60	66
Effective length	1829	1829	1829
Overall length	1875	1875	1875

## Notts OG Gutters with Left Hand External Joint



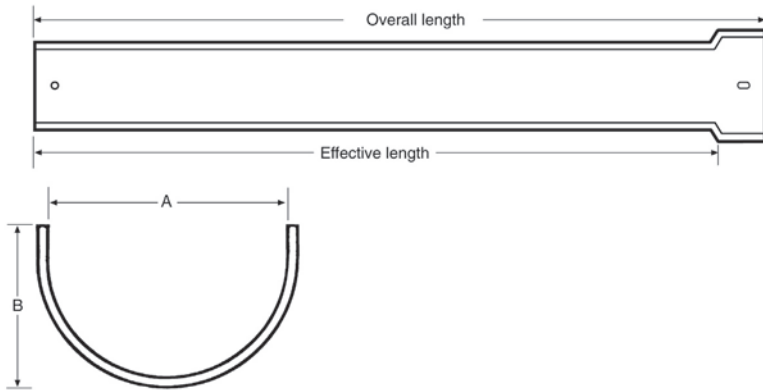
Notts OG Gutters	
Size in mm	115x75mm (4.5 x 3')
A = Internal width	115
B = Overall depth	75
Effective length	1829
Overall length	1875

## G46 Moulded Gutters with Right Hand Internal Joint



G46 Moulded Gutters		
Size in mm	100x75mm (4 x 3')	125x100mm (5 x 4')
A = Internal width	100	125
B = Overall depth	75	100
Effective length	1829	1829
Overall length	1869	1885

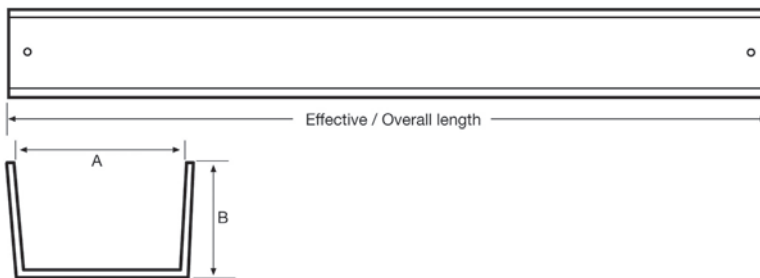
## Plain Deep Half Round with External Joint



Plain Deep Half Round		
Size in mm	100x75mm (4 x 3")	125x75mm (5 x 3")
A = Internal width	110	122
B = Overall depth	70	70
Effective length	1829	1829
Overall length	1882	1890

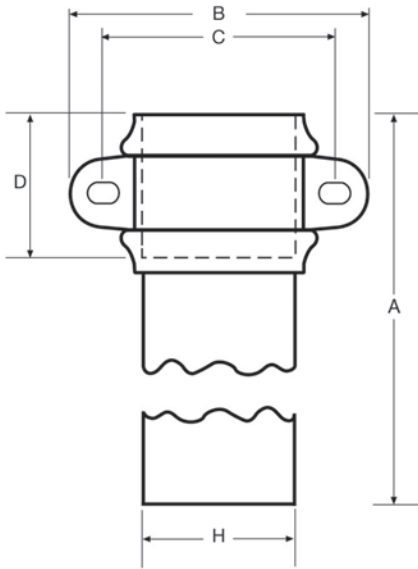
## Box Gutter with Double Spigots

No socket – use union clips at each end



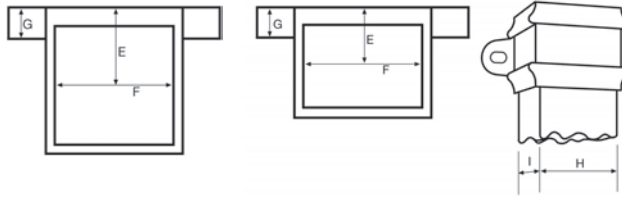
Box Gutter	
Size in mm	100x75mm (4 x 3")
A = Internal width	105
B = Overall depth	72
Effective / Overall length	1870

## Square & Rectangular Pipes



Square pipe

Rectangular pipe

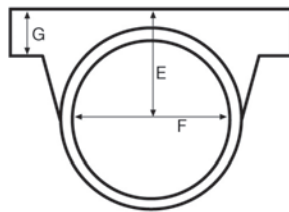
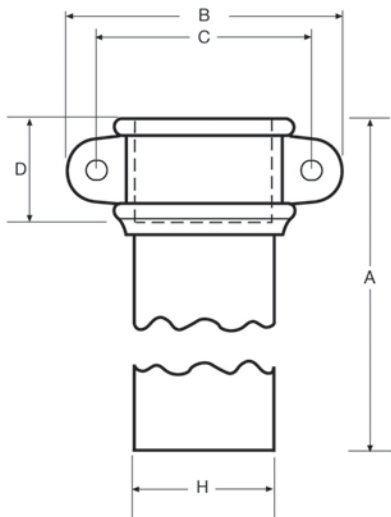


### Square & Rectangular Pipes - Eared & Plain

Size in mm	75x75 (3x3")	100x100 (4x4")	125x125 (5x5")	100x75 (4x3")	125x70 (5x2.75")	125x100 (5x4")	150x100(6x4")
A = Overall length	1829	1829	1829	1829	1829	1829	1829
B = Overall width (including ears)	174	193	223	205	223	230	255
C = Distance between fixing centres	135	154	185	163	187	192	215
D = Insertion depth of socket	75	75	75	75	75	75	75
E = Back of fixing to pipe centre	53	63	78.5	58	62	65	64
F = Internal width of socket	82	108	133	109	124	132	160
G = Thickness of ear	13	13	13	25	10	12	10
H = Outside pipe width	76	102	127	101	118	128	155
I = Outside pipe depth	76	102	127	74	74	100	100

Some pipes may be cast with round fixing holes.

## Traditional Soil Pipes



### Traditional Soil Pipes - Eared & Plain

Size in mm	50mm (2")	65mm (2.5")	75mm (3")	90mm (3.5")	100mm (4")	115mm (6")
A = Overall length	1829	1829	1829	1829	1829	1829
B = Overall width (including ears)	165	170	180	195	215	275
C = Distance between fixing centres	130	130	145	165	183	240
D = Insertion depth of socket	55	60	60	65	64	65
E = Back of fixing to pipe centre	55	70	70	83	85	128
F = Internal diameter	70	88	100	110	129	180
G = Thickness of ear	10	25	12	25	15	25
H = Outside pipe diameter	60	75	85	100	110	155