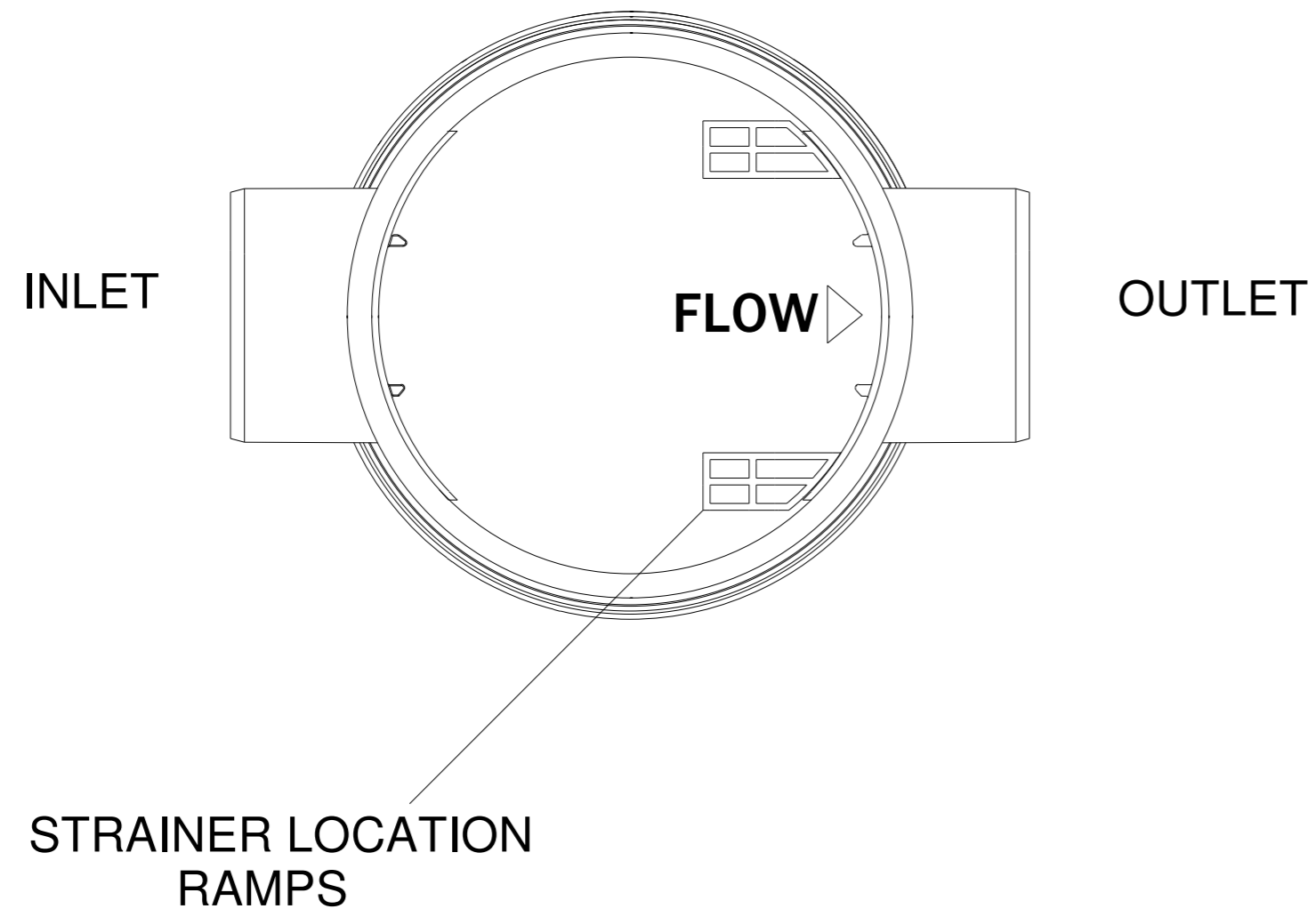
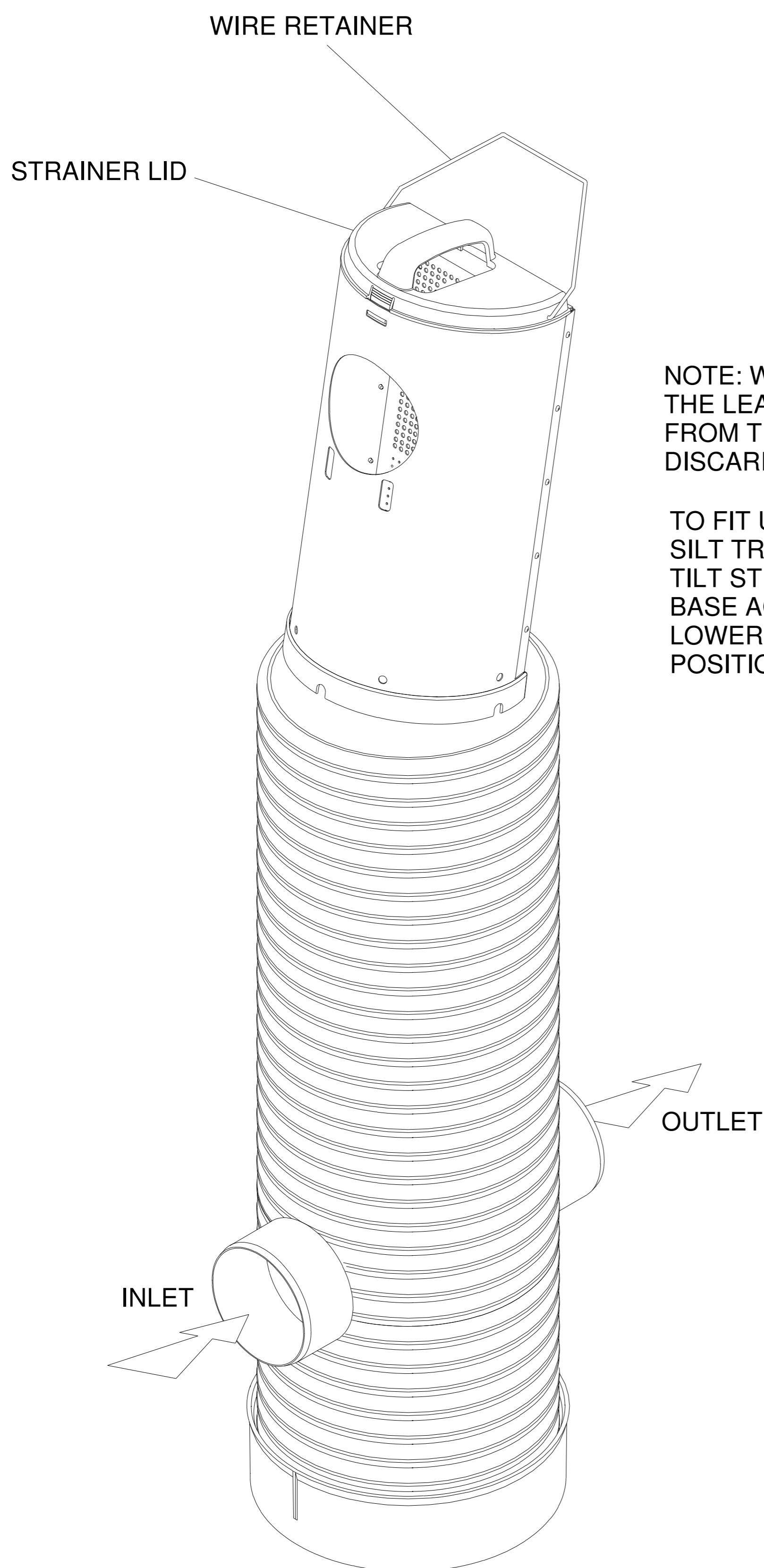
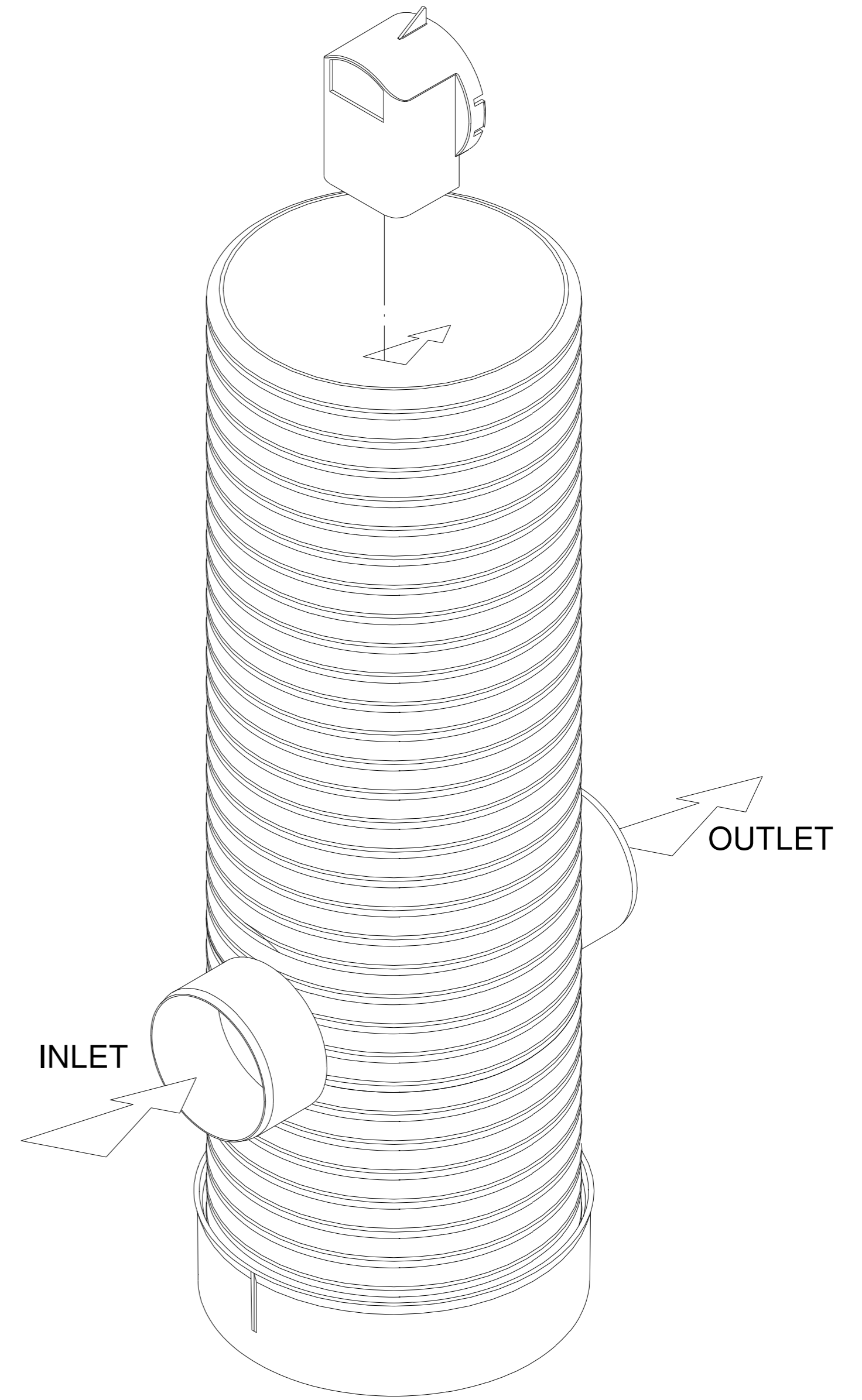


WHEN INSTALLING UG60 SILT TRAPS, ENSURE FLOW INDICATION IN BASE IS IN ACCORDANCE WITH DRAINAGE LAYOUT



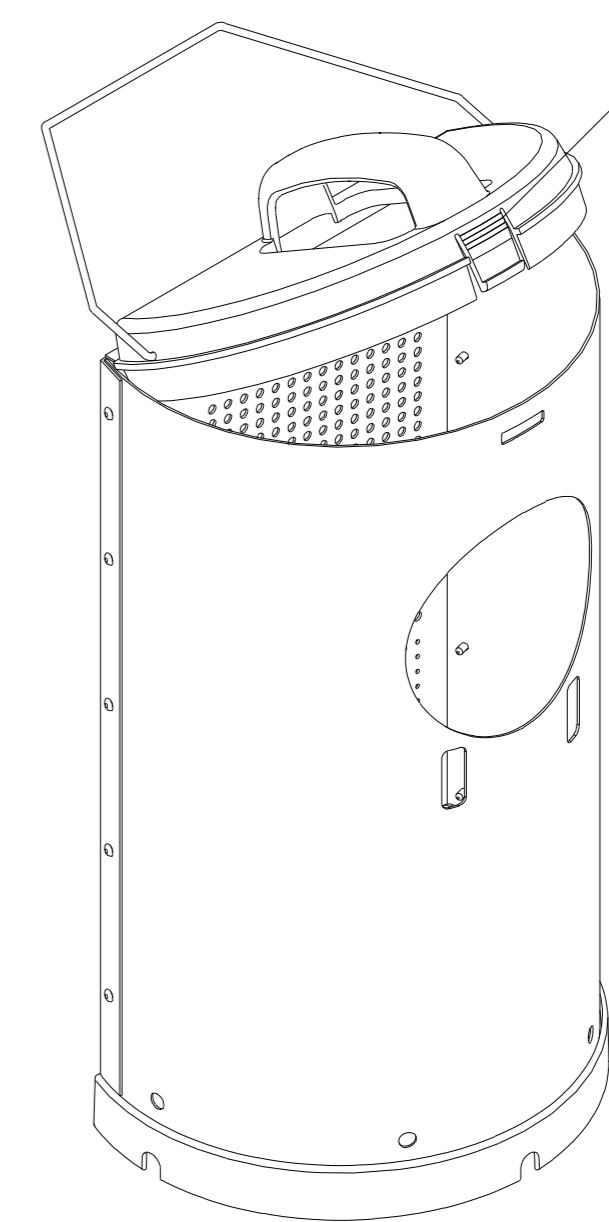
TYPE UG60 SHOULD BE INSTALLED WITH THE LEAF GUARD FITTED ON THE OUTLET



NOTE: WHEN FITTING UG61 STRAINER, THE LEAF GUARD SHOULD BE REMOVED FROM THE UG60 SILT TRAP AND DISCARDED

TO FIT UG61 STRAINER INTO UG60 SILT TRAPS, RAISE WIRE RETAINER, TILT STRAINER FORWARD & POSITION BASE AGAINST LOCATION RAMP. LOWER WIRE RETAINER TO LOCK IN POSITION

RELEASE CATCH



TO EMPTY STRAINER, PRESS RELEASE CATCH & REMOVE LID. WHEN REPLACING LID MAKE SURE HINGE LEDGE IS LOCATED BENEATH FACE PLATE FLANGE BEFORE REPLACING STRAINER REMOVE ANY SILT FROM BASE OF SILT TRAP