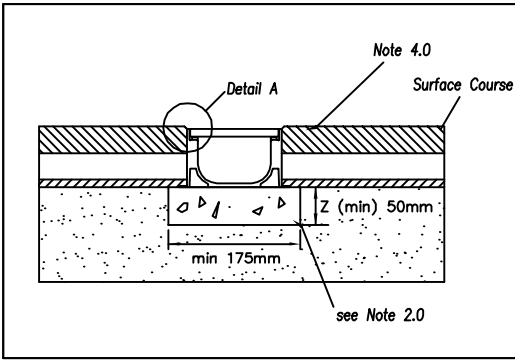
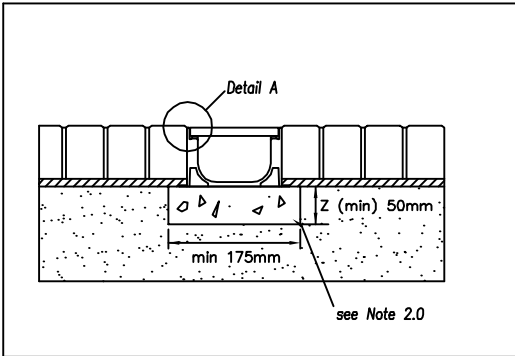


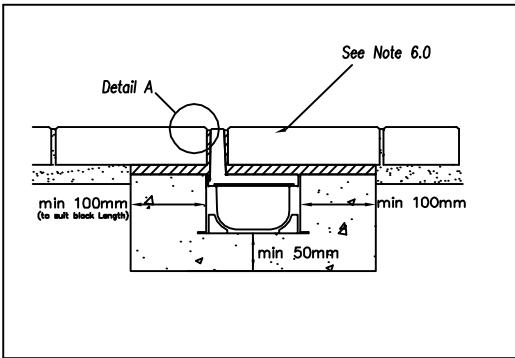
ASPHALT PAVEMENT



BLOCK PAVEMENT



HexDrain Brickslot



1.0 GROUND CONDITIONS: The customer should ensure that the minimum dimensions shown are suitable for the existing ground conditions. Engineering advice may be necessary.

2.0 CONCRETE BEDDING

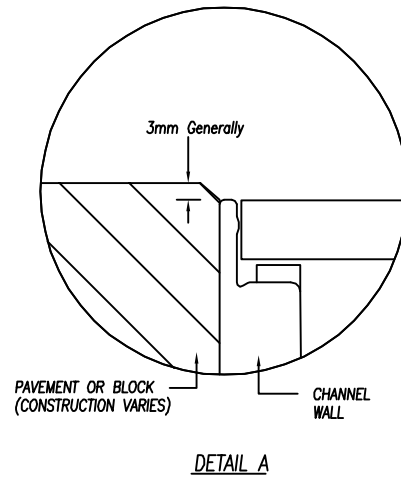
The concrete bedding is to have a minimum compressive strength 15N/mm² (e.g. mix ST3 to BS8500-1)


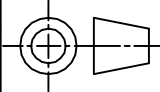
3.0 JOINT SEALANT: Where ACO HexDrain channel joints and fittings are to be sealed (where used in foul water applications or where impermeability is required, for example) contact a sealant specialist for guidance on the most appropriate sealing compound to use.

4.0 SURFACE PROTECTION: In asphalt pavements avoid contact between compaction equipment and channel/grating. This may be achieved by ensuring that the finished surface level lies above the grating level (by at least 3mm). Stones should be removed from grating prior to laying/rolling wearing course.

5.0 GENERAL INSTALLATION NOTES: See drawing E1-E01-003-3 for general notes on installation

6.0 HEXDRAIN BRICKSLOT: First block to be laid as soldier course and bedded in polymer modified cement/sand mortar (as Ronafix Mortar Mix C or similar: from Ronacrete Tel. 01279 638700).



A		30.7.07		HexDrain Brickslot added		ZG			
Issue		Date		Description		Name			
Material:		Weight:		 <p>ACO Business Park Hitchin Road, Shefford, Bedfordshire, SG17 5TE. Tel: 01462 816666 Web site: www.aco.co.uk</p>					
n/a		n/a							
Tolerance:		Surface Finish:		<p>Information contained in this drawing is copyright property of ACO Drain. Any reproduction in part or whole without written permission of ACO Drain is prohibited</p>					
n/a		n/a							
Name		Date					Scale:		Unit:
RJAB		9.1.07					1:10		mm
Checked:		Date				Project No.			
JC		30.7.07				n/a			
Update:		Date		Title		Issue			
ZG		30.7.07		ACO HexDrain INSTALLATION FOR LOAD CLASS A15		A			
Part No.		Replacement for:		Drawing No.					
		n/a		E1 E01-037-3					
		Replaced by:							
		n/a							