



**ALUTEC**  
roof OUTLET SYSTEMS

Installation Guide

## Installation Guidance

### Fig. 1: General Installation

1. Recess the **outlet body** into the roof structure ensuring the top is flush.
2. Connect pipework to outlet body.
3. Screw **outlet body** to the roof structure or spacer block with countersunk screws via holes provided.
4. Dress the waterproof membrane into the dish of the outlet body. For sheet membranes that do not adhere to the aluminium outlet body surface, utilise a bonding material such as butyl putty (warmed to room temperature) or Alutec Sealant (SC101).
5. Secure **clamping ring** and **grate** over the waterproof membrane with bolts provided. Ensure membrane is fully clamped into position.

For terrace grate, green roof and car park installations, please see additional steps below. For inverted roof, two-way and balcony installations, please see additional steps overleaf.

### Fig. 2: Terrace grate installation

6. Cut **extension ring** to required height, then secure to **clamping ring** using the threaded rods and nuts provided.
7. Secure **terrace grate** to **extension ring** using bolts provided and rotate to required paving slab grid.

### Fig. 3: Green roof installation

6. Cut **extension ring** to required height, then secure to **clamping ring** using the threaded rods and nuts provided. A planter mesh must be wrapped around the outside of the extension ring to avoid debris draining into the rainwater system.
7. Secure **grate** to extension ring using bolts provided.

### Fig. 4: Car park installation

6. Secure **clamping ring 1** and **grate** over the primary waterproof membrane with bolts provided. Ensure membrane is fully clamped into position.
7. Place **raising ring** into position on top of clamping ring 1 then dress paving grade topping layer upto the raising ring.
8. Secure **clamping ring 2** over the paving grade topping layer with bolts provided, ensuring the clamping ring is level with the finish floor.
9. Secure **flat grate** to clamping ring 2 using bolts provided.

Fig. 1: Typical warm or cold roof application

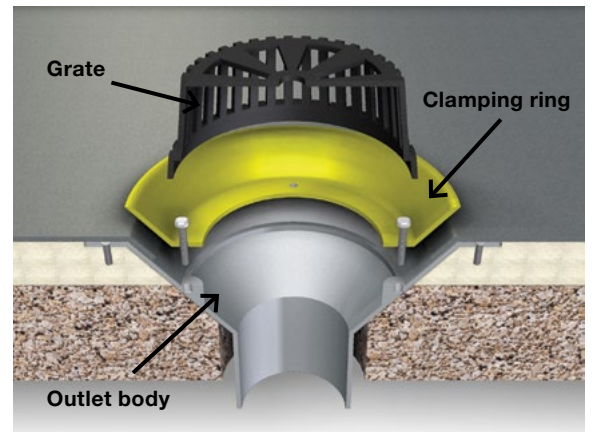


Fig. 2: Typical terrace grate application

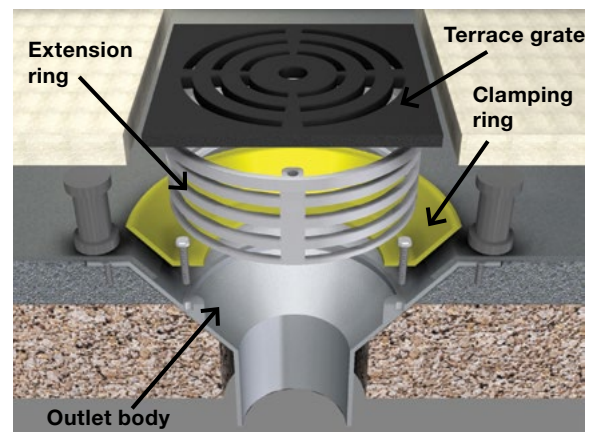


Fig. 3: Typical green roof application

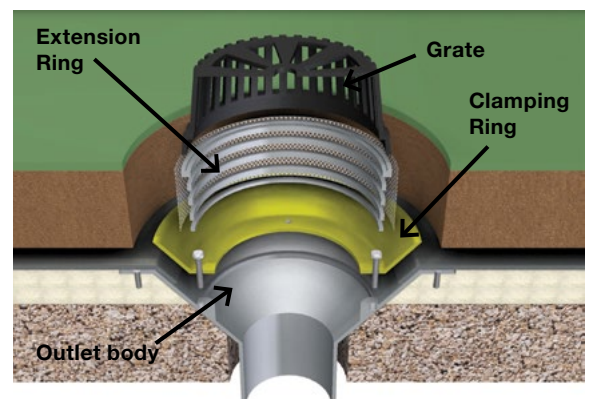
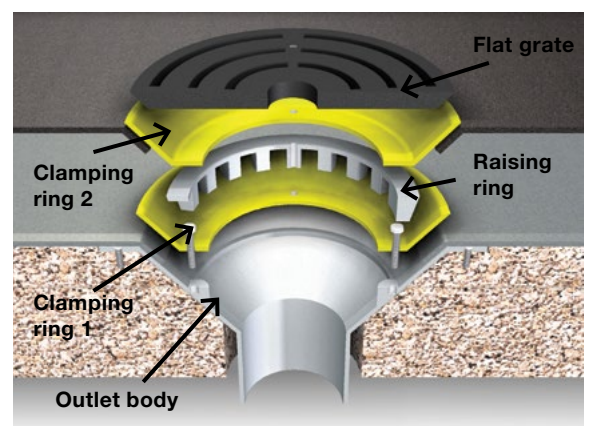


Fig. 4: Typical car park application



### Fig. 5: Inverted roof installation

For initial installation steps, please see opposite page, steps 1 – 5.

6. Cut **extension ring** to required height, then secure to **clamping ring** using the threaded rods and nuts provided. Depending on the size of the gravel, it is advisable to wrap a planter mesh around the outside of the extension ring to avoid debris entering into the rainwater system.

### Fig. 6: Two-way outlet installation

1. Connect **threaded adaptor** to the outlet, sealing with PTFE tape or Alutec Sealant, SC101.
2. Recess the **outlet body** into the slab and brickwork so that the outer flange is level with both surfaces. Screw outlet body to the roof structure with countersunk screws via holes provided.
3. Dress the waterproofing membrane into the dish of the outlet body. For sheet membranes that do not adhere to the aluminium outlet body surface, use a bonding material such as butyl putty (warmed to room temperature) or Alutec Sealant, SC101.
4. Secure **clamping ring** and **grate** over the waterproof membrane with bolts provided. Ensure membrane is fully clamped into position.

### Fig. 7: Balcony installation

1. Recess the **outlet body** into the roof structure ensuring the top is flush.
2. Connect pipework to outlet body.
3. Screw **outlet body** to the structure with countersunk screws via holes provided.
4. Dress the waterproof membrane into the dish of the **outlet body**.
5. Secure **clamping ring** and **flat grate** over the waterproof membrane with bolts provided.
6. Cut **flat grate** to size if it needs to accept pipe from above.

Fig. 5: Typical inverted roof application

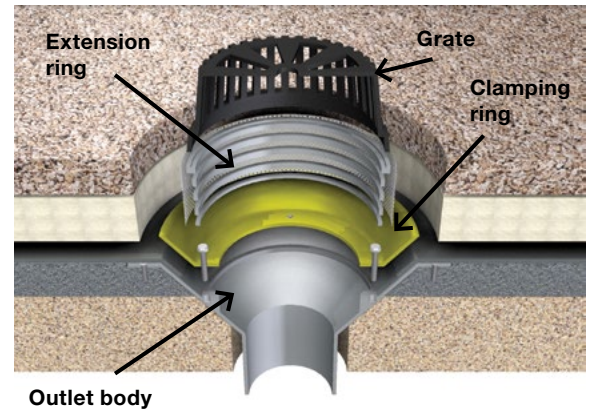


Fig. 6: Typical two-way outlet application

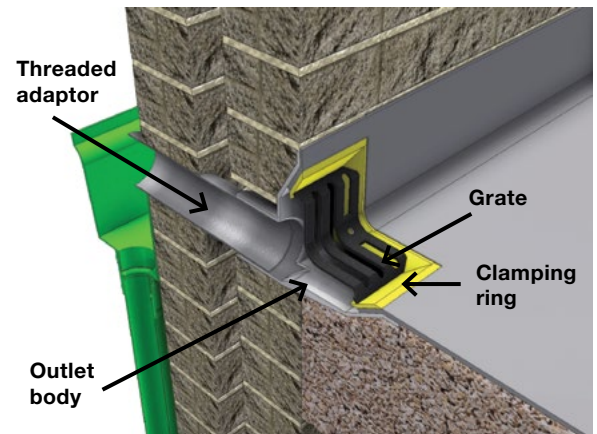
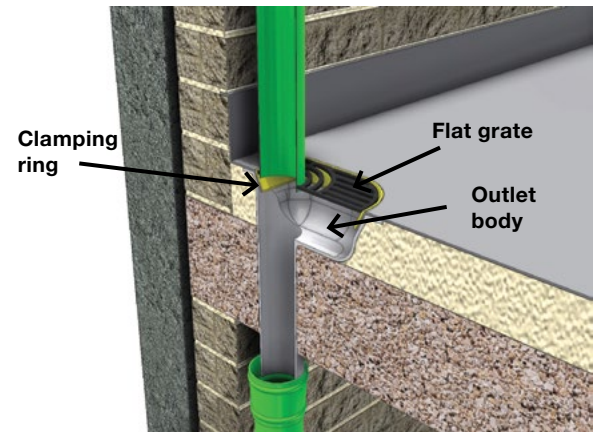


Fig. 7: Typical green roof application



## Environmental

Ensure all packaging is disposed of responsibly in accordance with current waste disposal regulations. Aluminium is an infinitely recyclable materials and therefore all salvaged items should be disposed of at metal recycling depots.

## Safety

The relevant safety regulations are outlined in the Health and Safety at Work Act 1974 and should be followed. Refer to the Approved Code of Practice (ACOP) Construction Design and Management Regulations 2007.

Polyester powder coated aluminium products do not pose any known health hazard.



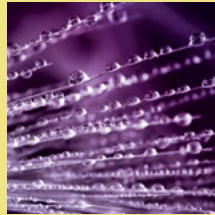
evolve RAINWATER SYSTEMS



traditiond RAINWATER SYSTEMS



aligator RAINWATER SYSTEMS



evoke FASCIA AND SOFFIT



roof OUTLET SYSTEMS



shower OUTLET SYSTEMS

**ALUTEC**  
ALUMINIUM RAINWATER SYSTEMS

L-30-14

### Head office

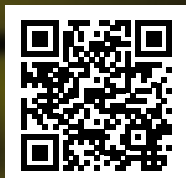
For general enquiries, please call **01234 359438**  
For technical enquiries please call **01234 344108**  
email: [enquiries@marleyalutec.co.uk](mailto:enquiries@marleyalutec.co.uk)  
Fax: **01234 357199**


Unit 1 (G-H), Viking Industrial Park, Hudson Road, Elms Farm Industrial Estate, Bedford MK41 0LZ

### Export Division


Aliaxis UK  
Lenham, Kent, ME17 2DE  
Telephone: **01622 858888** Fax: **01622 850778**

an *Aliaxis* company



 /marleyalutec

 @marleyalutec

 /company/marleyalutec

[marleyalutec.co.uk](http://marleyalutec.co.uk)